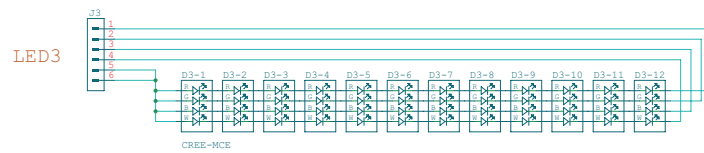
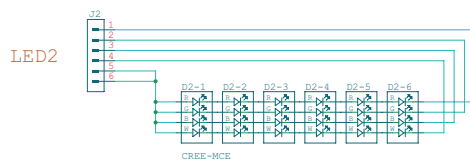
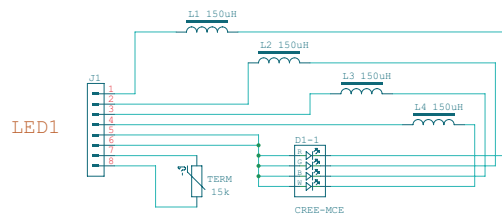
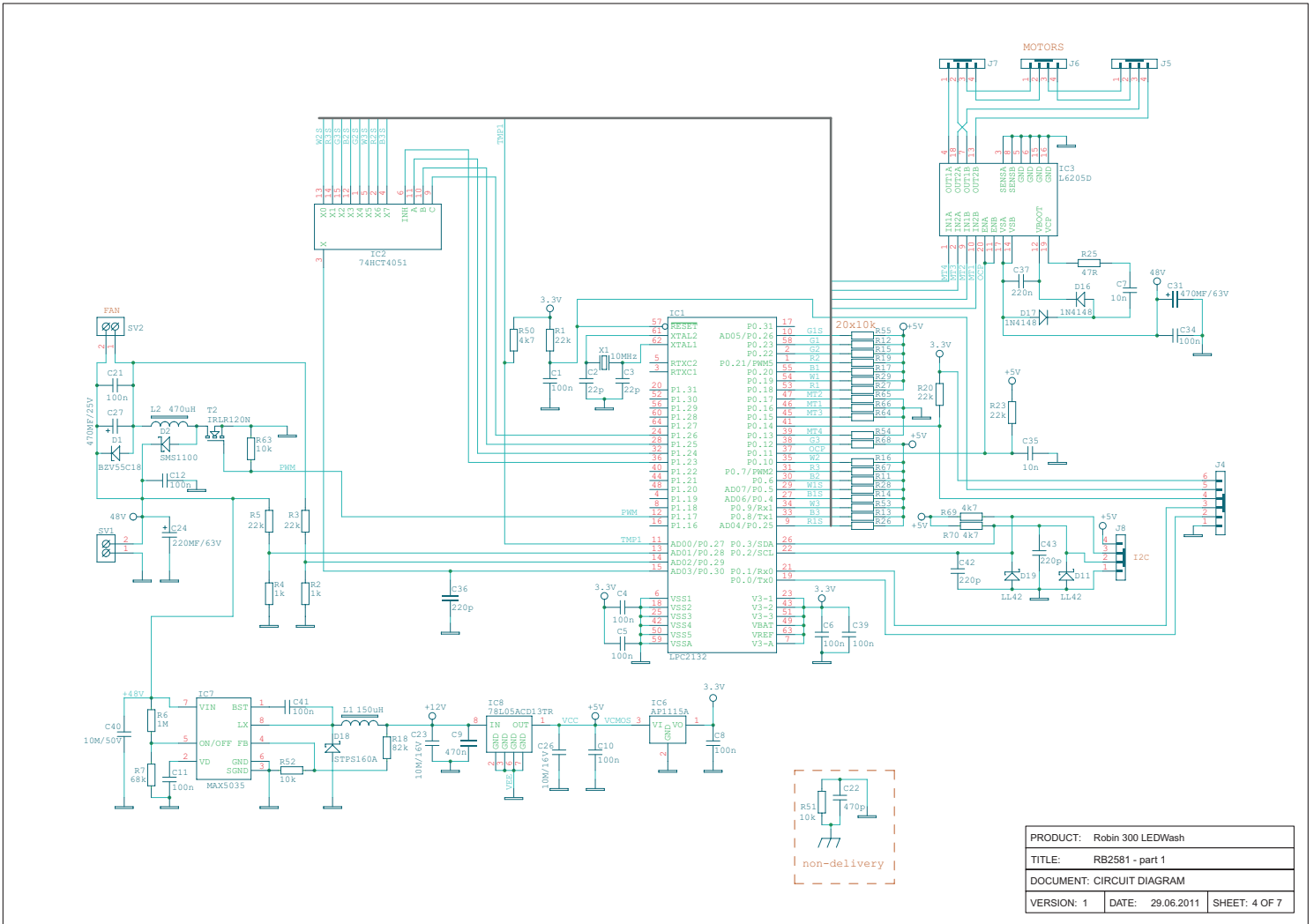


PRODUCT:	Robin 300 LEDWash
TITLE:	WIRING DIAGRAM
DOCUMENT:	Basic Section E1 V 1.0
VERSION:	1
DATE:	29.06.2011
SHEET:	1 OF 7

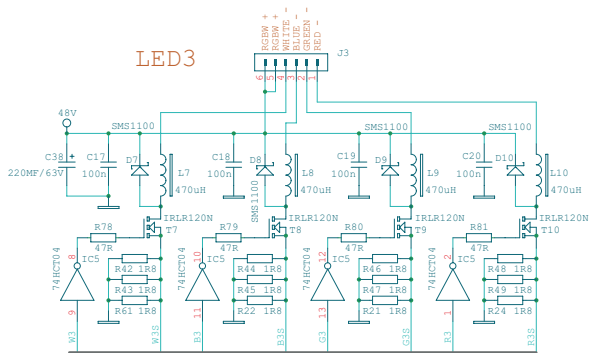
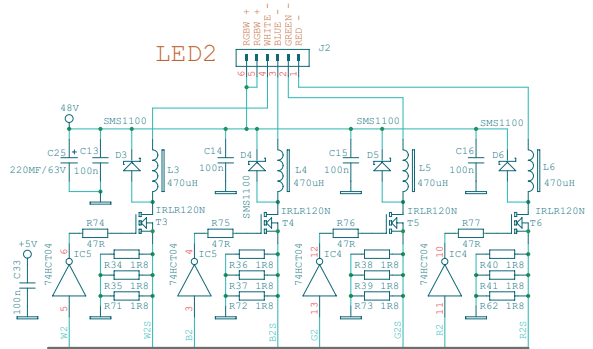
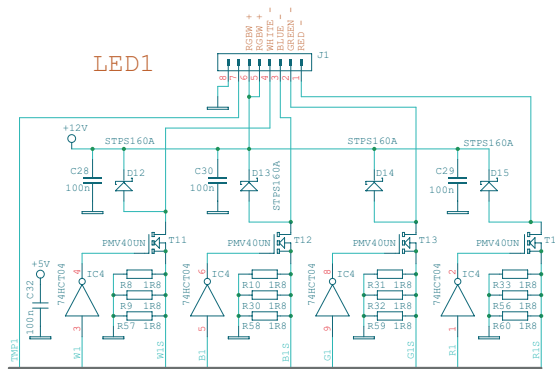




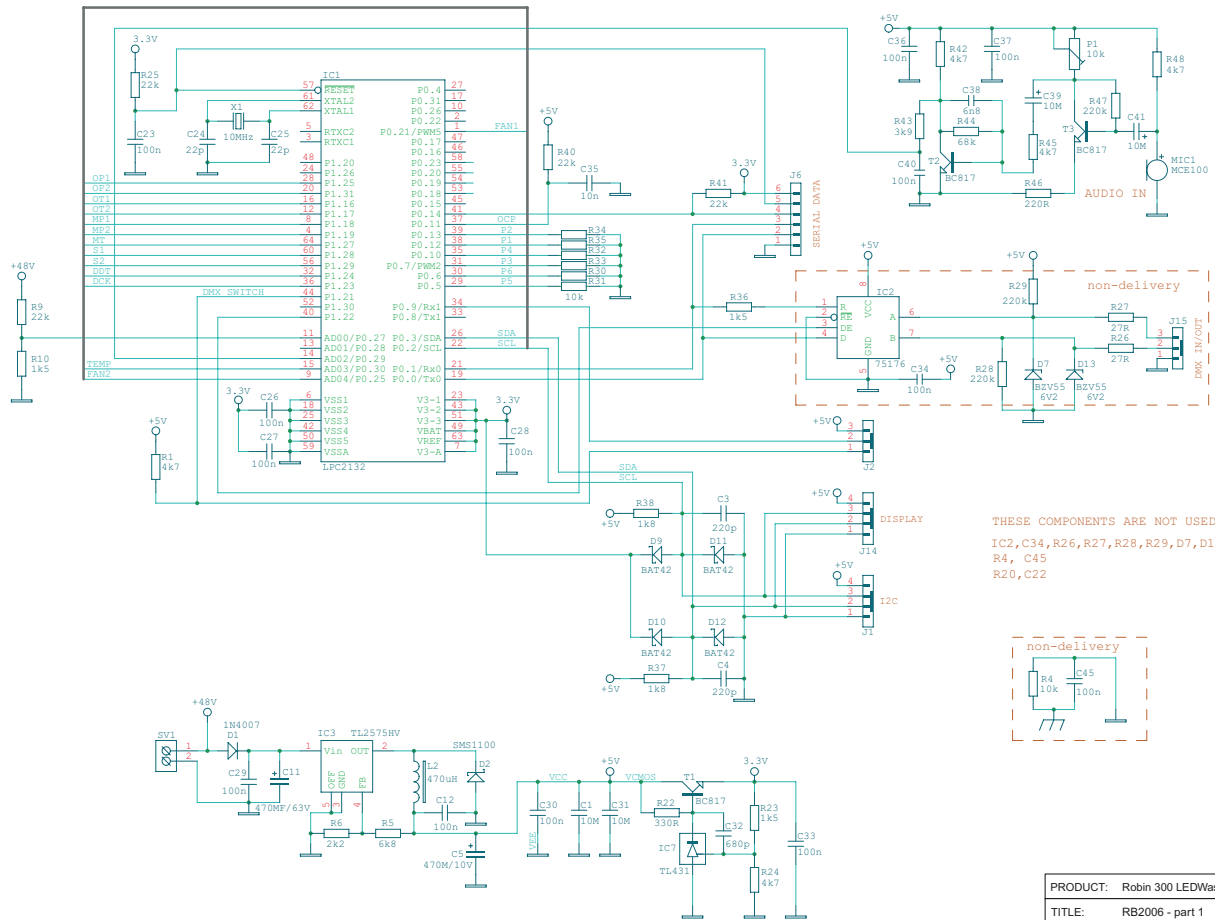
PRODUCT: Robin 300 LEDWash		
TITLE: RB7030		
DOCUMENT: CIRCUIT DIAGRAM		
VERSION: 1	DATE: 29.06.2011	SHEET: 3 OF 7



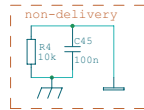
PRODUCT:	Robyn 300 LEDWash
TITLE:	RB2581 - part 1
DOCUMENT:	CIRCUIT DIAGRAM
VERSION:	1
DATE:	29.06.2011
SHEET:	4 OF 7



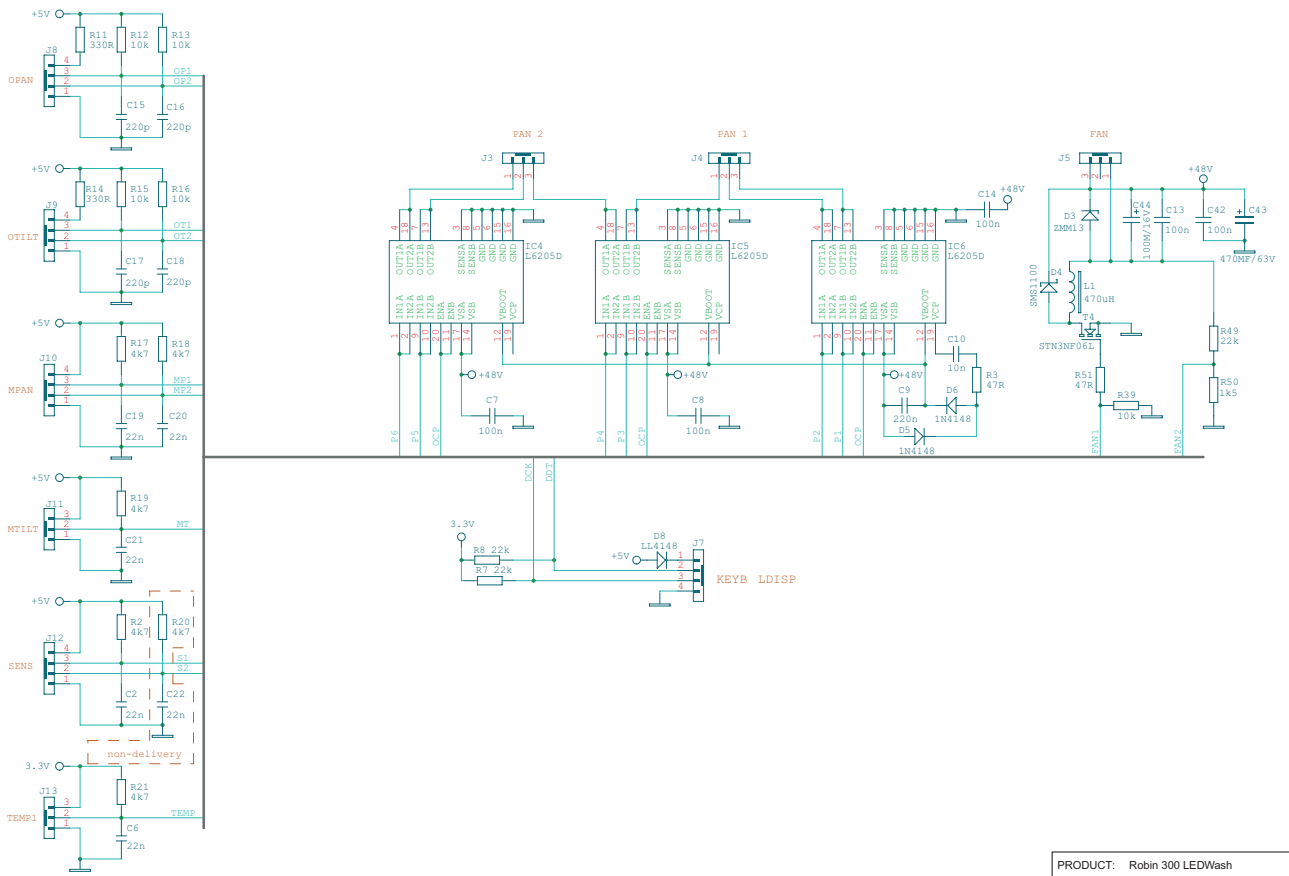
PRODUCT: Robin 300 LEDWash		
TITLE: RB2581 - part 2		
DOCUMENT: CIRCUIT DIAGRAM		
VERSION: 1	DATE: 29.06.2011	SHEET: 5 OF 7



THESE COMPONENTS ARE NOT USED  
 IC2, C34, R26, R27, R28, R29, D7, D13, J15  
 R4, C45  
 R20, C22



PRODUCT:	RobIn 300 LED Wash
TITLE:	RB2006 - part 1
DOCUMENT:	CIRCUIT DIAGRAM
VERSION:	1
DATE:	29.06.2011
SHEET:	6 OF 7



PRODUCT:	Robin 300 LEDWash	
TITLE:	RB2006 - part 2	
DOCUMENT:	CIRCUIT DIAGRAM	
VERSION:	DATE:	SHEET:
1	29.06.2011	7 OF 7